

MAXIMUM CHARACTERISTICS

APPLICATION:

For two way radio and SCADA applications.
Non-weatherized, Flange mount

SURGE:

50kA IEC 61000-4-5 8/20µs waveform 500J

TURN ON:

600Vdc ± 20%

TURN ON TIME:

2.5ns for 2kV/ns

FREQUENCY RANGE:

125MHz to 1000MHz

VSWR:

≤1.1 to 1 over frequency range

INSERTION LOSS:

≤0.1dB over frequency range

MAX POWER:

375W @ 125 to 220MHz

125W @ 220 to 700MHz

50W @ 700 to 1000MHz

THROUGHPUT ENERGY:

≤220µJ 3kA 8/20µs waveform

TEMPERATURE:

Storage: -55°C to +85°C

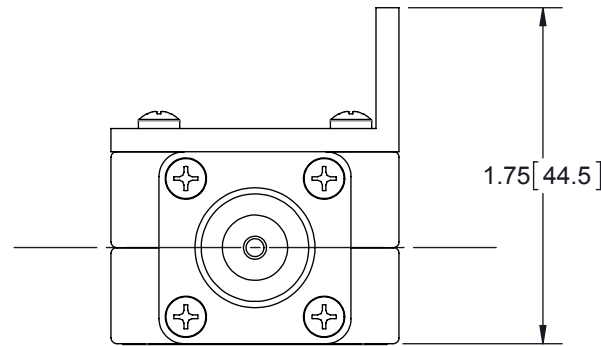
Operating: -50°C to +50°C

VIBRATION:

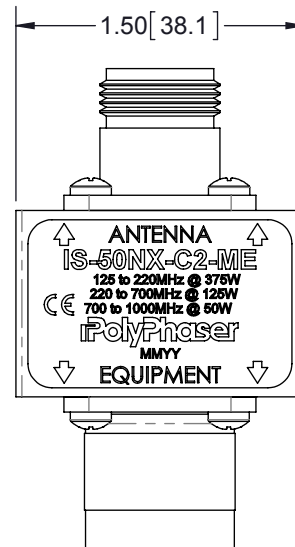
1G at 5Hz to 100Hz

CE COMPLIANT

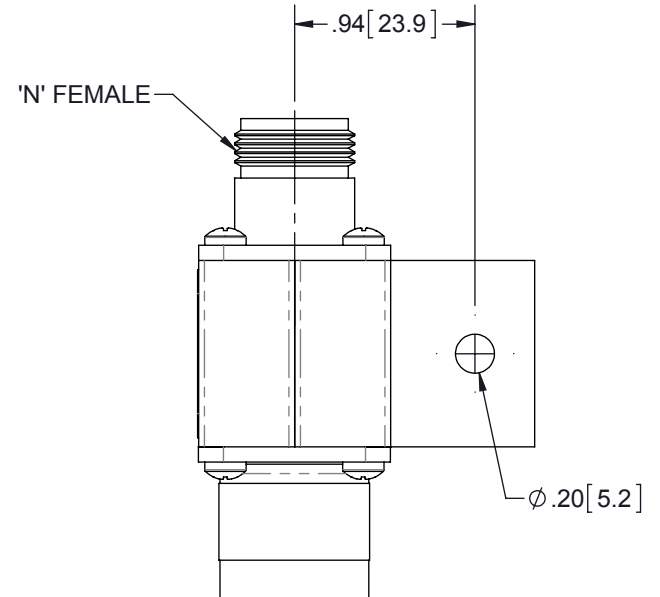
RoHS COMPLIANT



1.75 [44.5]



1.50 [38.1]



'N' FEMALE

.94 [23.9]

Ø .20 [5.2]

REVISIONS				
REV.	DESCRIPTION	ECN	DATE	APPROVED
F	REFER TO ECN	11976	8/29/13	KCB

HARDWARE KIT INCLUDES:

QTY	DESCRIPTION
1	SCREW 10-32 X .50 SLOT F PAN 4-10 SS
1	SCREW 10-32x.50 SLOT MS PAN 18-8 SS
1	NUT 10-32 HEX 18-8 SS
2	WASHER 10 EXT TOOTH SS

CUSTOMER APPROVAL: _____ DATE: _____

ALL DIMENSIONS SHOWN ARE FOR REFERENCE ONLY.

UNLESS OTHERWISE SPECIFIED LEADING DIMENSIONS ARE INCHES DIMENSIONS IN [] ARE MILLIMETERS	DRAWN	DS	DATE	1/26/93	SHEET 1 OF 1						
	ENG APPD	JLJ	1/26/93								
TOLERANCES: FRACTIONS=± 1/32 .XX=± .03 ANGLES=± 1° .XXX=± .010	PRODUCT MGR				SCALE 1:1						
	MARKETING APPD	NJ	1/26/93								
NOTICE: THE INFORMATION AND DESIGN IN THIS DOCUMENT IS THE PROPERTY OF POLYPHASER CORPORATION. ALL RIGHTS RESERVED.	PROJECT NO.				TITLE BROADBAND 125-1000MHz R50 T.O. 600Vdc N MALE-EQ CUSTOMER SPECIFICATION						
	DOCUMENT NAME	IS-50NX-C2-ME-C	SIZE	A		CAGE	61114	PROD CAT	RFP	PART NUMBER	IS-50NX-C2-ME

THESE COMMODITIES, TECHNOLOGY OR SOFTWARE WERE EXPORTED FROM THE UNITED STATES IN ACCORDANCE WITH THE EXPORT ADMINISTRATION REGULATIONS. DIVERSION CONTRARY TO U.S. LAW PROHIBITED.